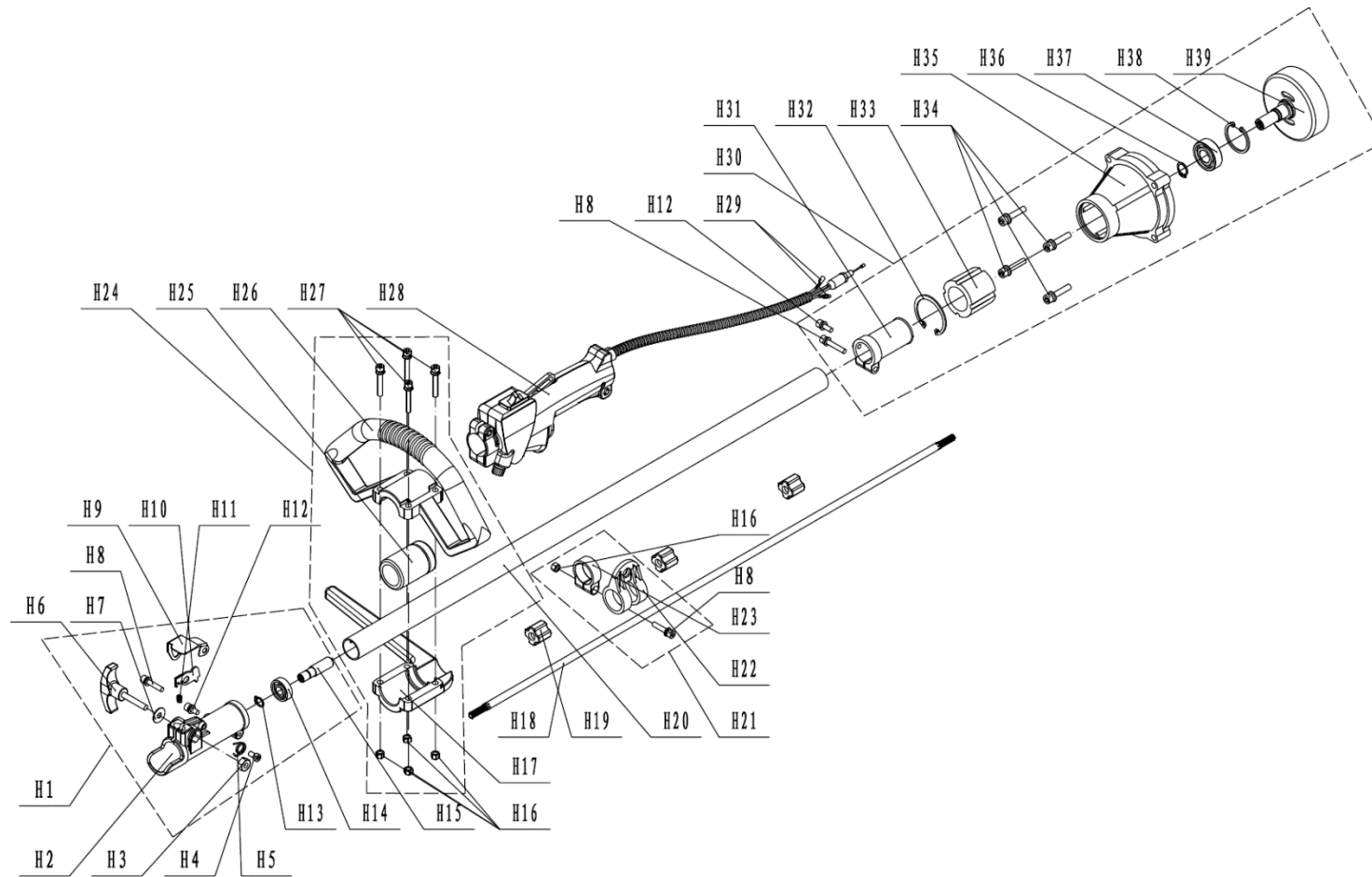
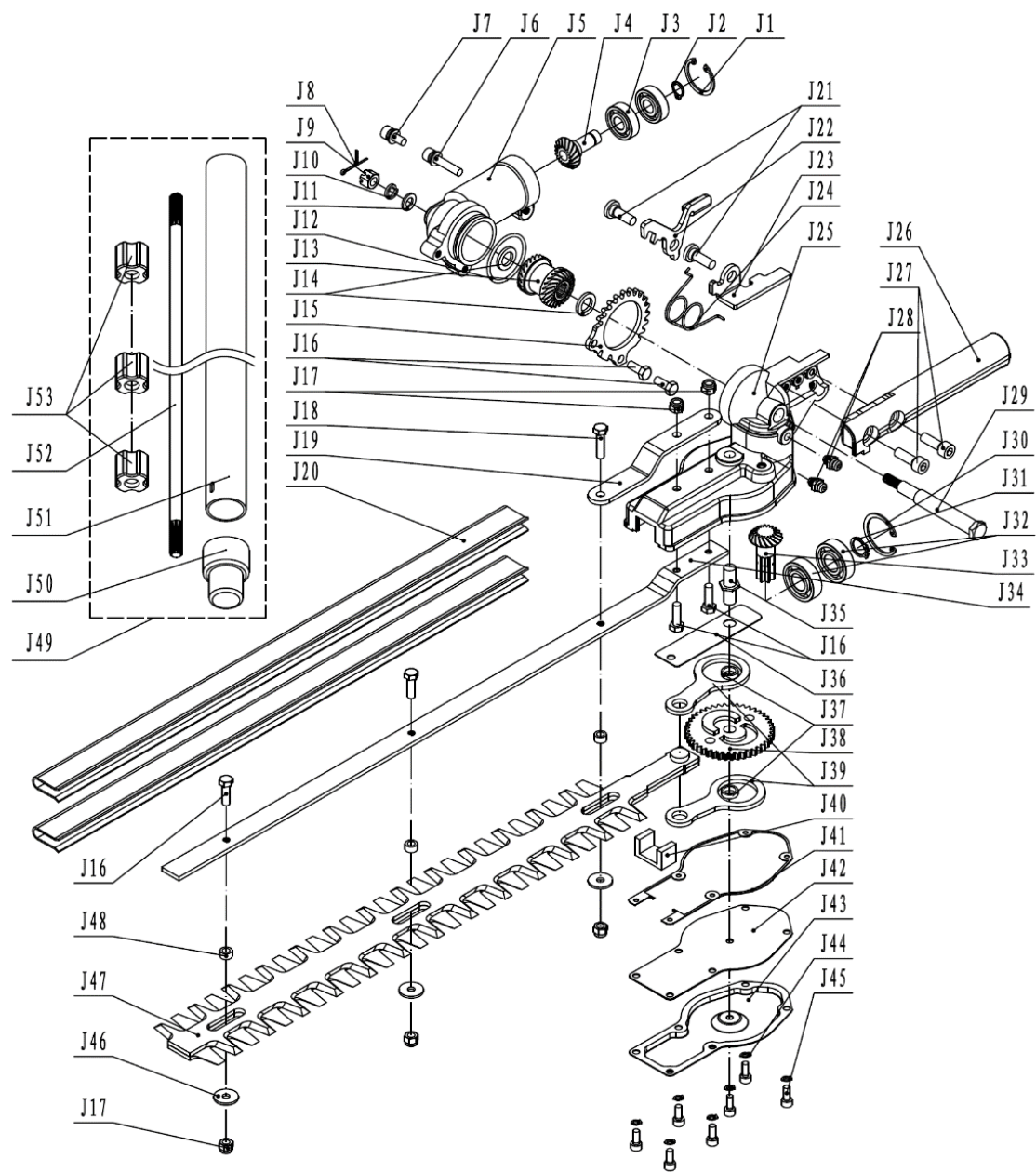


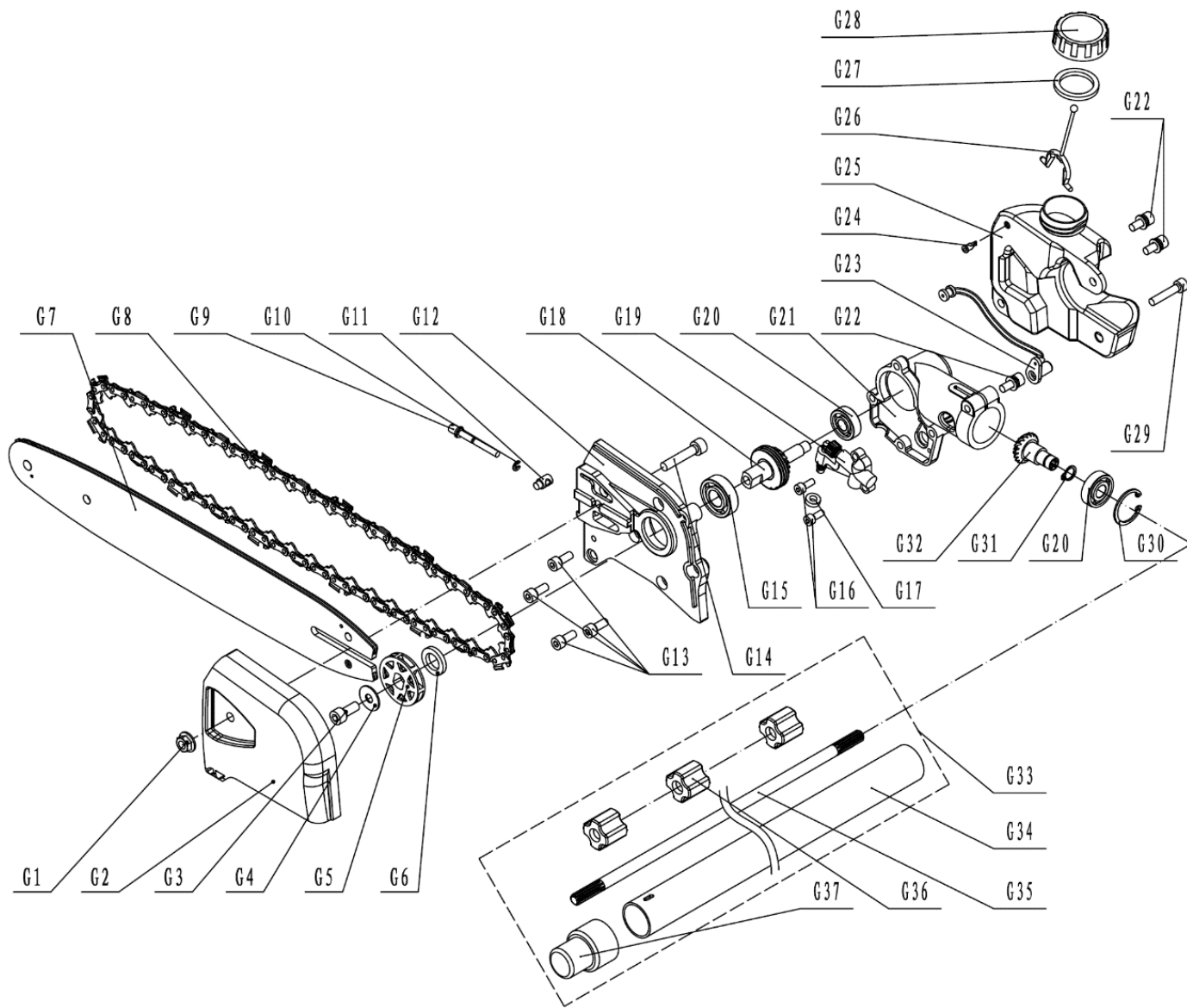
Pos.	Part number	Description
5	2600-2SP0001	SHOE CLUTCH
7	2600-2SP0002	ROTOR
10	2600-2SP0003	COIL ASSY
12	2600-2SP0004	OIL SEAL
22	2600-2SP0005	PULLEY
24	2600-2SP0006	RECOIL ASSY
28	2600-2SP0007	TOP COVER
30	2600-2SP0008	COVER CYLINDER
34	2600-2SP0009	SPARK PLUG
36	2600-2SP0010	GASKET CYLINDER
37	2600-2SP0011	PISTON RING
38	2600-2SP0012	PISTON
39	2600-2SP0013	NEEDLE BEARING
42	2600-2SP0014	COVER MUFFLER
45	2600-2SP0015	MUFFLER
46	2600-2SP0016	GASKET MUFFLER
47	2600-2SP0017	GASKET INSULATOR
48	2600-2SP0018	INSULATOR
49	2600-2SP0019	GASKET CARBURETOR
50	2600-2SP0020	CARBURETOR ASSY
51	2600-2SP0021	BODY ASSY
52	2600-2SP0022	ELEMENT
53	2600-2SP0023	PLATE
55	2600-2SP0024	COVER
56	2600-2SP0025	COVER AIR FILTER
59	2600-2SP0026	OIL TANK ASSY
60	2600-2SP0027	FUEL PIPE
61	2600-2SP0028	FUEL PUMP
63	2600-2SP0029	OIL TANK CAP



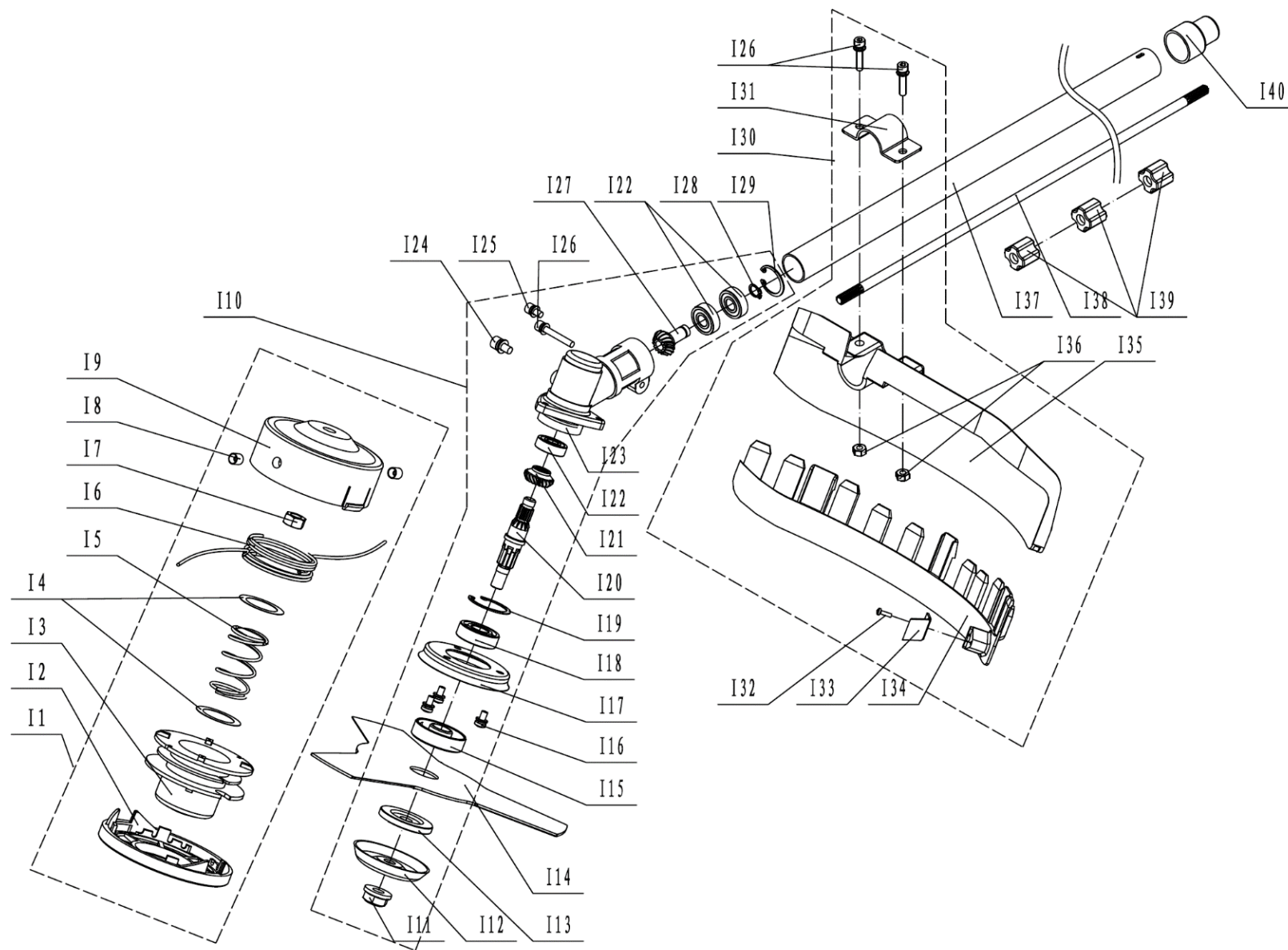
Pos.	Part number	Description
H1	2600-2SP0029	JOINT
H6	2600-2SP0030	LOCK SCREW
H14	2600-2SP0031	BEARING 6000
H15	2600-2SP0032	SAHFT JOINT
H18	2600-2SP0033	TRANSMISSION SHAFT
H19	2600-2SP0034	OIL BEARING
H21	2600-2SP0035	HANGER SET
H25	2600-2SP0036	HANDLE GRIP
H31	2600-2SP0037	CONNECT TUBE
H33	2600-2SP0038	CUSION
H35	2600-2SP0039	HOUSING BODY
H39	2600-2SP0040	DRIVEN DISK



Pos.	Part number	Description
J4	2600-2SP0041	GEAR
J5	2600-2SP0042	GEAR CASE
J12	2600-2SP0043	SEAL RING
J13	2600-2SP0044	GEAR
J19	2600-2SP0045	PLATE
J22	2600-2SP0046	ANGEL ADJUSTER
J23	2600-2SP0047	LEVER
J24	2600-2SP0048	SPRING
J26	2600-2SP0049	ROTAING HANDLE
J28	2600-2SP0050	GREESE FITTING
J33	2600-2SP0051	TRANSMISSION GEAR
J35	2600-2SP0052	CRANK SHAFT
J36	2600-2SP0053	GASKET
J38	2600-2SP0054	GEAR
J39	2600-2SP0055	TRANSMSSION LINK
J40	2600-2SP0056	FELT
J41	2600-2SP0057	GASKET GEAR CASE
J47	2600-2SP0058	BLADE
J49	2600-2SP0059	WORKING SHAFT
J52	2600-2SP0060	TRANSMISSION SHAFT



Pos.	Part number	Description
G5	2600-2SP0061	SPROCKET
G7	2600-2SP0062	GUIDE BAR
G8	2600-2SP0063	CHAIN
G9	2600-2SP0064-66	SCREW TENSIONER
G11		NUT TENSIONER
G18	2600-2SP0067	GEAR SHAFT
G19	2600-2SP0068	OIL PUMP
G20	2600-2SP0069	BEARING 627
G23	2600-2SP0070	OIL PUMP
G24	2600-2SP0071	VALVE
G25	2600-2SP0072	OIL TANK
G28	2600-2SP0073	OIL TANK CAP
G32	2600-2SP0074	TRANSMISSION GEAR
G33	2600-2SP0075	WORKING SHAFT
G35	2600-2SP0076	TRANSMISSION SHAFT
G36	2600-2SP0077	OIL BEARING
G37	2600-2SP0078	STOPPER



Pos.	Part number	Description
I1	BCSP0001	NYLON HEAD
I10	2600-2SP0079	GEAR CASE ASSY
I11	2600-2SP0080	NUT
I12	2600-2SP0081	COVER BLADE
I13	2600-2SP0082	HOLDER A
I14	BCSP0002	3-TEETH BLADE
I15	2600-2SP0083	HOLDER B
I20	2600-2SP0084	SPLINE SHAFT
I21	2600-2SP0085	DRIVEN GEAR
I27	2600-2SP0086	CEAR
I30	2600-2SP0087	SHIELD ASSY
I31	2600-2SP0088	BRANKET
I33	2600-2SP0089	BLADE
I34	2600-2SP0090	GUARD
I37	2600-2SP0091	PIPE
I38	2600-2SP0092	SHAFT
I39	2600-2SP0093	OIL BEARING
I40	2600-2SP0094	STOPPER